



Page 01-25

- Self-Retaining Retractors
- Abdominal Retractors



¼



½

IJ-001
WEITLANER
Sharp
110 mm



¼



½

IJ-002
WEITLANER
Semi-Sharp
110 mm



¼



½

IJ-003
WEITLANER
Blunt
110 mm



¼



½

IJ-004
WEITLANER
Sharp
130 mm



¼



½

IJ-005
WEITLANER
Semi-Sharp
130 mm



¼

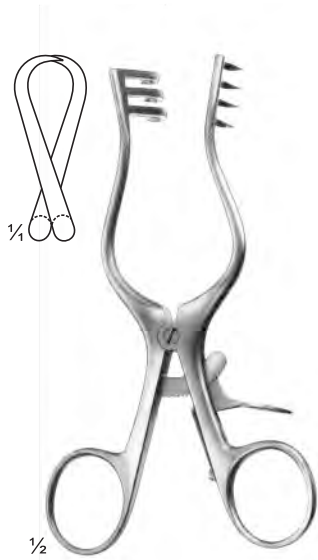


½

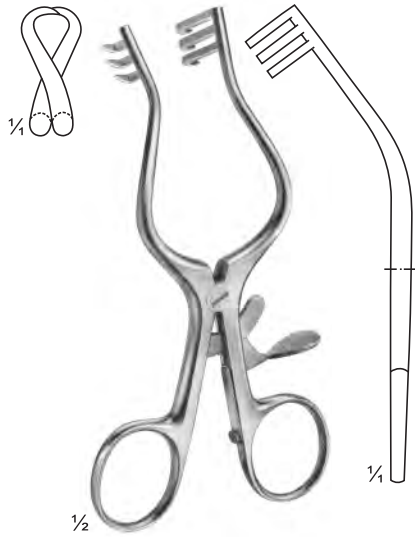
IJ-006
WEITLANER
Blunt
130 mm



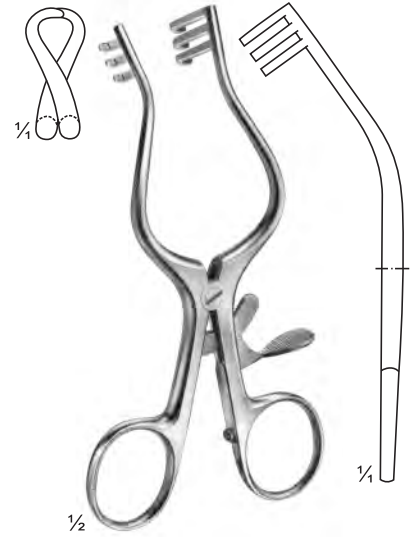
SELF-RETAINING RETRACTORS



IJ-007
WEITLANER
Sharp
130 mm



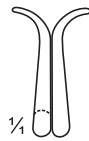
IJ-008
WULLSTEIN
Sharp
130 mm



IJ-009
WULLSTEIN
Blunt
130 mm



IJ-010
WEITLANER
Sharp
165 mm



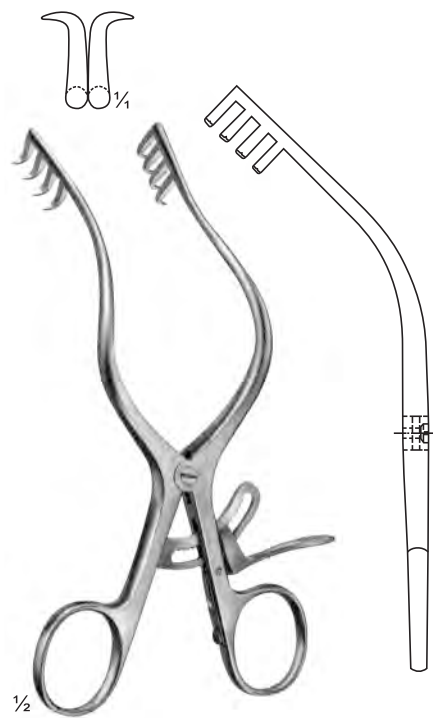
IJ-011
PLESTER
Blunt
110 mm



IJ-012
PERKINS
Blunt
130 mm



IJ-013
ADSON-BABY
Blunt
140 mm



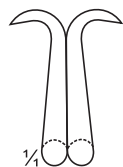
IJ-014
MOLLISON
Sharp
155 mm



IJ-015
MAYO-ADAMS
165 mm



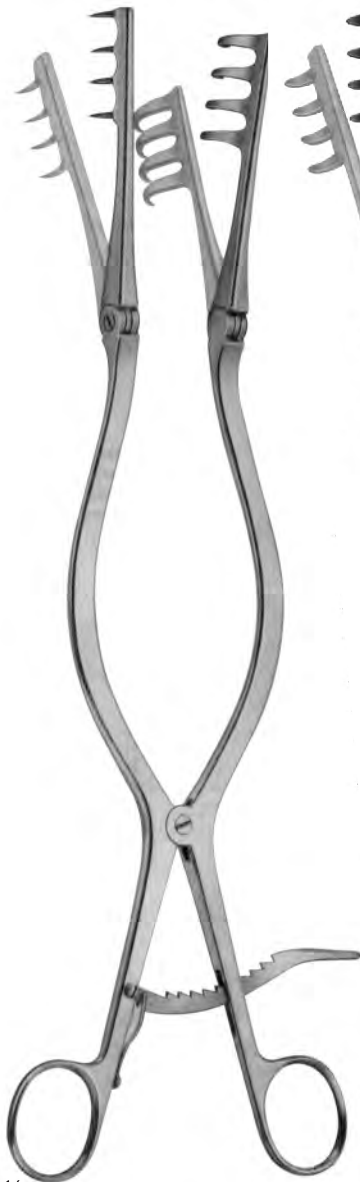
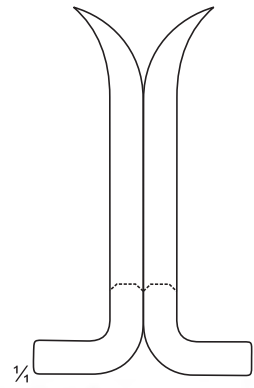
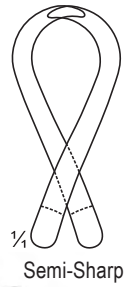
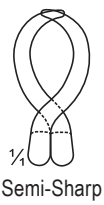
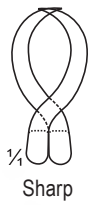
SELF-RETAINING LAMINECTOMY RETRACTORS



IJ-016
ANDERSON-ADSON
Sharp
190 mm

IJ-017
NORFOLK and
NORWICH
Blunt
220 mm

IJ-018
ADSON
Sharp
265 mm



1/2
IJ-019
BECKMANN-ADSON
Sharp
310 mm



IJ-019A
BECKMANN-ADSON
Semi-Sharp
310 mm



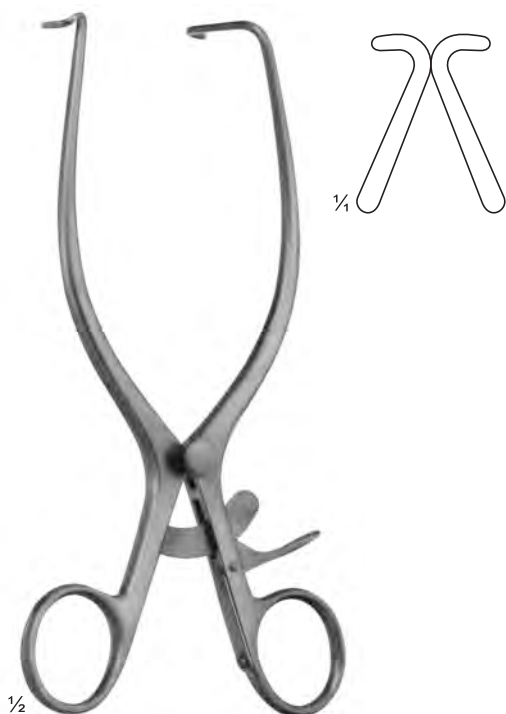
1/2
IJ-020
ADSON
Semi-Sharp
320 mm



1/2
IJ-021
BECKMANN-EATON
Sharp
320 mm



SPECIAL RETRACTORS



IJ-022
JACKSON BURROWS
Retractor, blunt
185 mm



IJ-023
GELPI
Vaginal Retractor
135 mm



IJ-024
GELPI
Skin- and Vaginal Retractor
175 mm

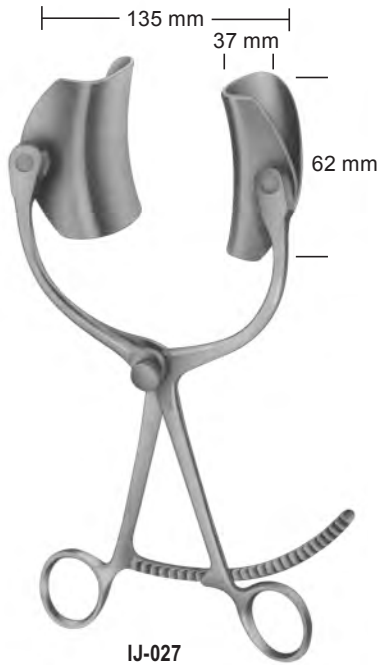


IJ-025
DE BAKEY
Femur Retractor
145 mm

ABDOMINAL RETRACTORS



IJ-026
BABY-COLLIN
with 2 pair of blades



IJ-027
COLLIN
complete



IJ-031 135 mm
IJ-032 160 mm

IJ-028 - IJ-032
COLLIN
complete



IJ-033 - IJ-034
RICARD
complete

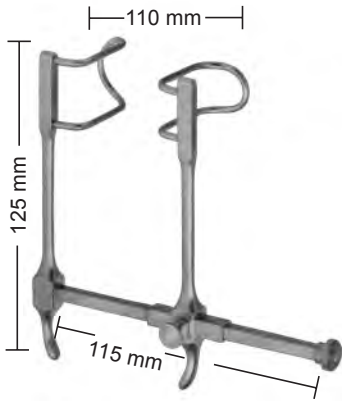
Spreader only **IJ-033** **IJ-034**
Lateral blade 58x80mm 72x84mm
Canter blade 54x70mm 72x90mm



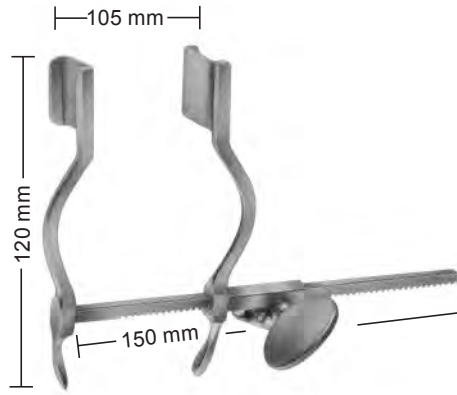
IJ-035 - IJ-037
HOLZBACH
Complete

IJ-035 Spreader only
IJ-036 Lateral blade 59x80mm
IJ-037 Canter blade 74x82mm

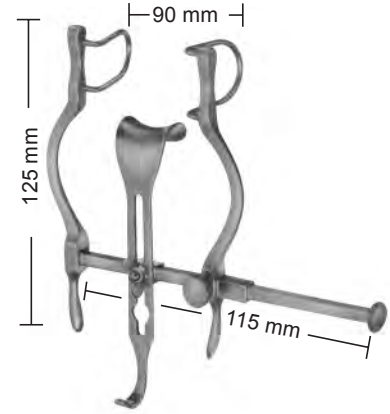
ABDOMINAL RETRACTORS



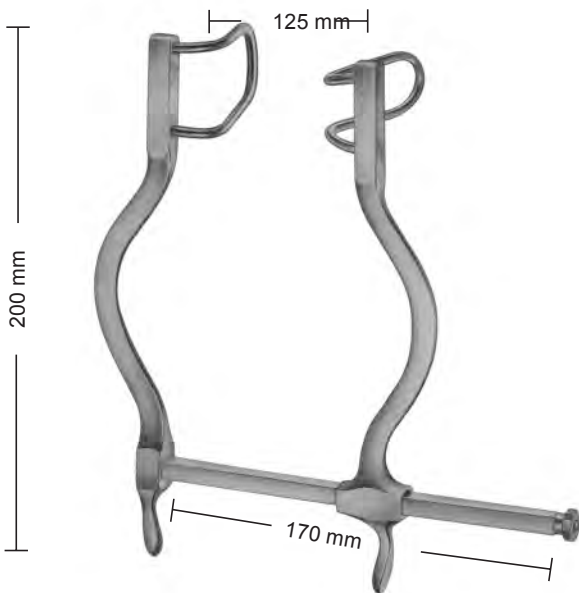
IJ-038
GOSSET
Blades: 38 mm deep



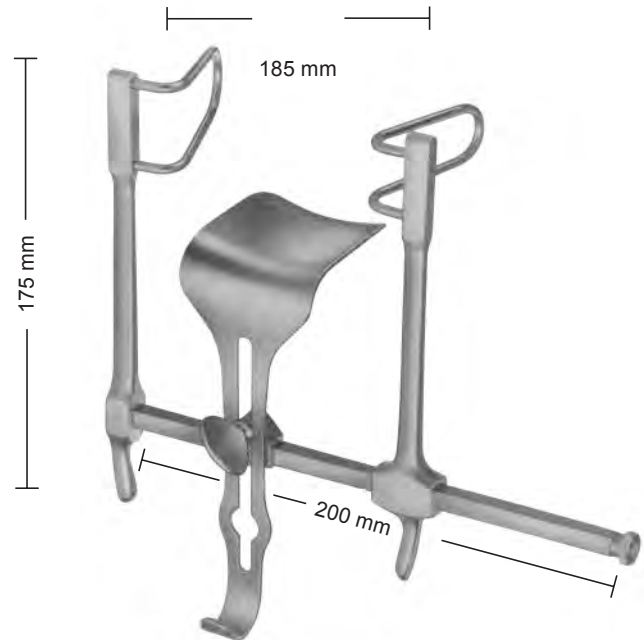
IJ-039
HERTZLER
Blades 20 X 25 mm



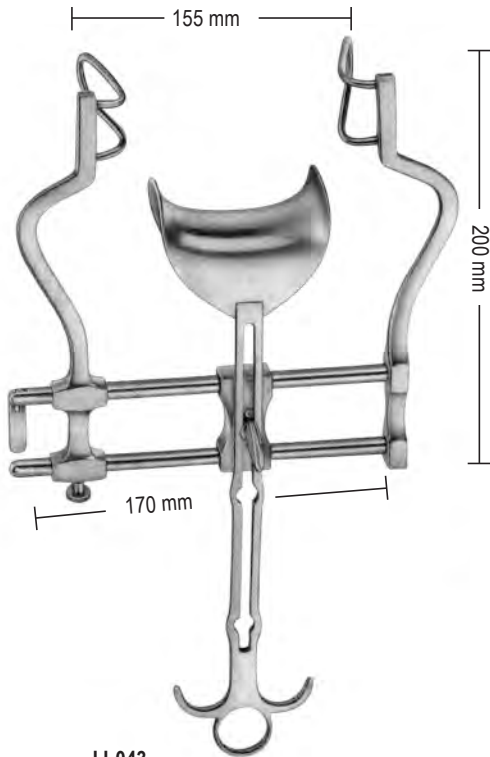
IJ-040
BALFOUR-BABY
Lateral blades 27 mm deep
Center blade 21x24 mm



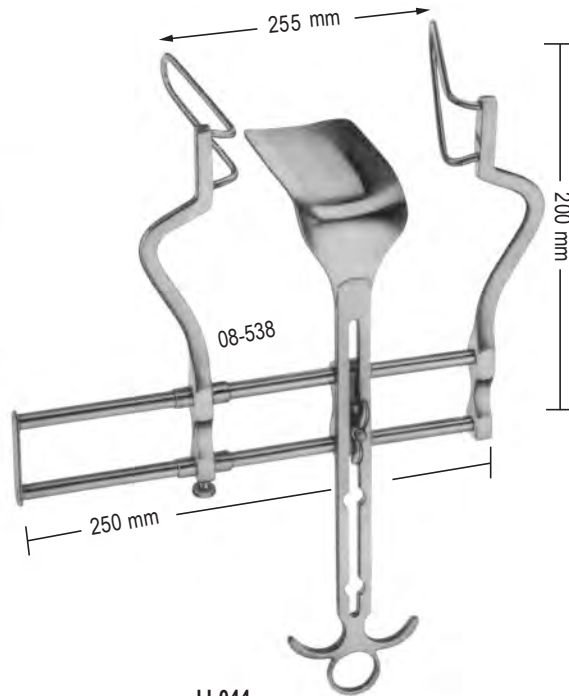
IJ-041
GOSSET
Blades: 55 mm deep



IJ-042
GOSSET
Lateral blades 58 mm deep
Center blade 59 x 57 mm



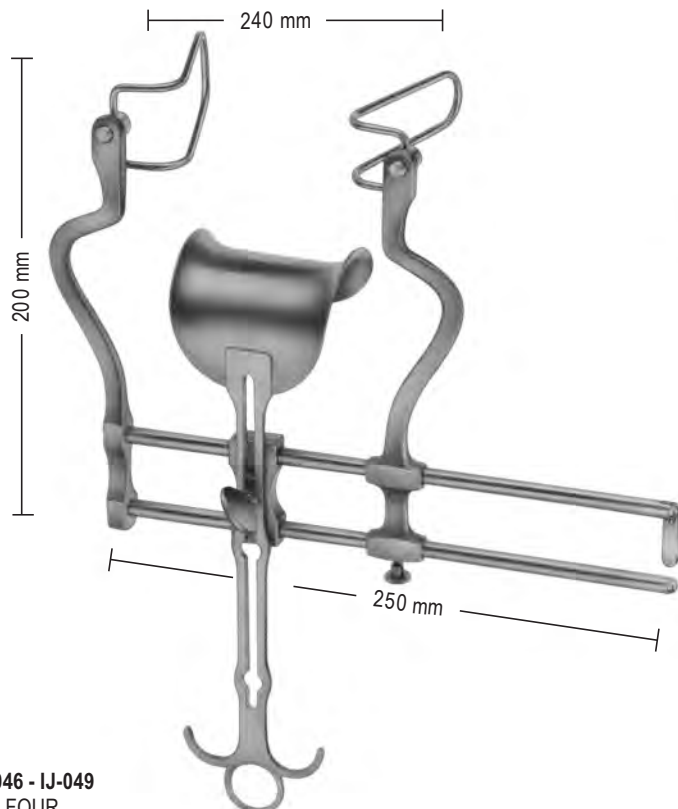
IJ-043
BALFOUR
Lateral blades 60 mm deep
Center blade 47 x 80 mm



IJ-044
BALFOUR
Lateral blades 105 mm deep
Center blade 107x 59 mm



IJ-045
Center blade only
54x80 mm



IJ-046 - IJ-049
BALFOUR
Spreader only **IJ-046** **IJ-047** **IJ-048** **IJ-049**
Lateral blades 50 mm 60 mm 75 mm 90 mm
Center blade 47 x 80 mm 62x76 mm 80x80 mm 80x80 mm



Sales Unit of blades: PR = pair

Lateral blades
IJ-050
50 mm deep
IJ-051
60 mm deep
IJ-052
75 mm deep
IJ-053
90 mm deep



WOUND SPREADERS, SELF-RETAINING



BOSE
IJ-054
60 mm



FINSEN
IJ-055
50 mm



FINSEN
IJ-056
70 mm



FINSEN modif.
IJ-057
75 mm



IJ-058
45 mm



IJ-059
55 mm



MUELLER
IJ-060
65 mm



IJ-061



IJ-062

ALM
IJ-061 7 cm
IJ-062 10 cm



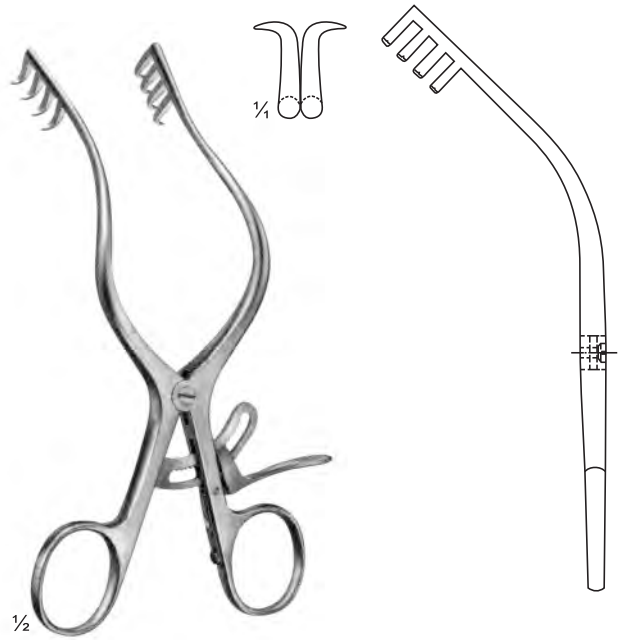
JANSEN
IJ-063
100 mm



JANSEN
IJ-064
100 mm



ADSON-BABY
Blunt
IJ-065
14 cm



MOLLISON
Sharp
IJ-066
15.5 cm



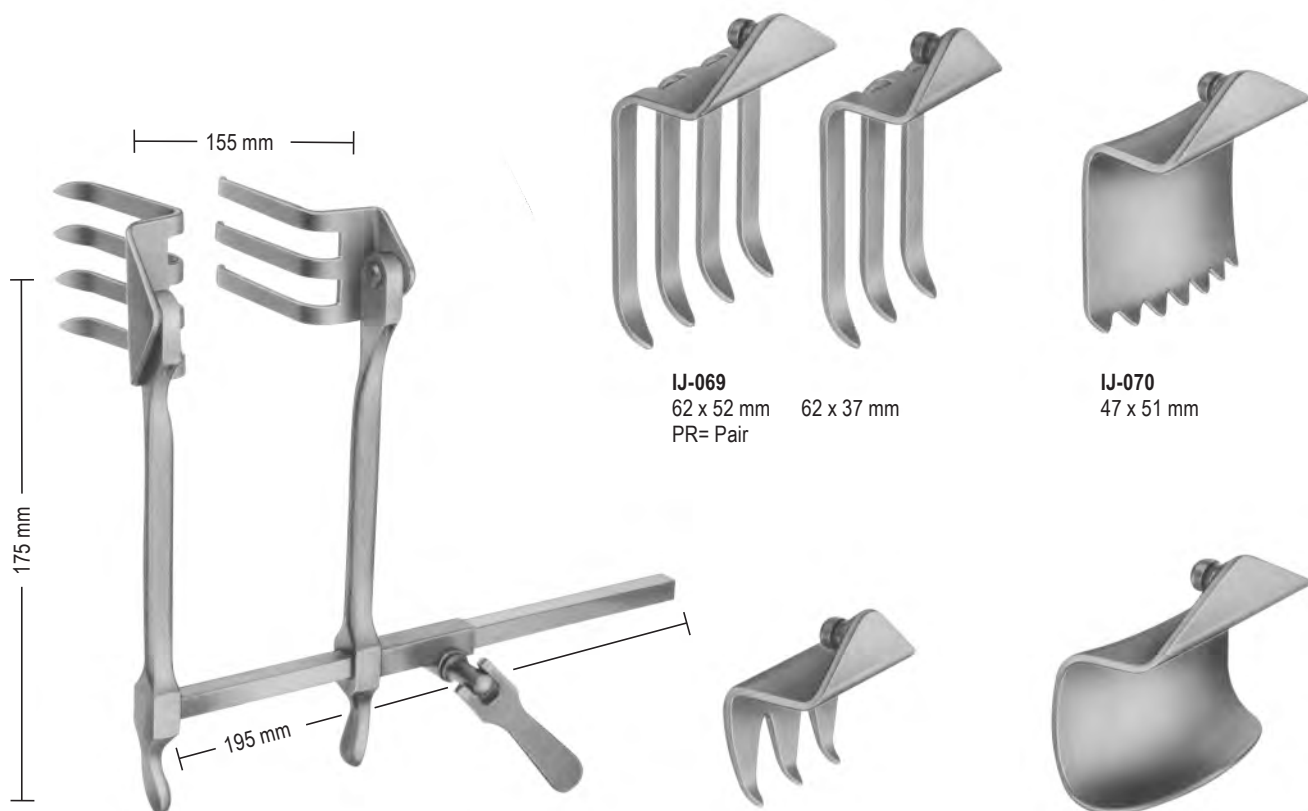
MAYO-ADAMS
IJ-067
16.5 cm



TRAVERS
IJ-068
21.5 cm



SELF RETAINING RETRACTORS
FOR LAMINECTOMY AND OTHER OPERATIONS



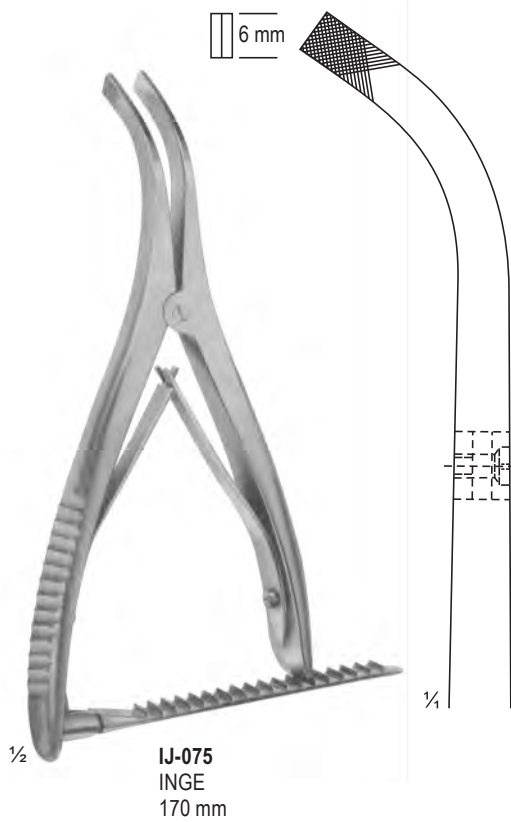
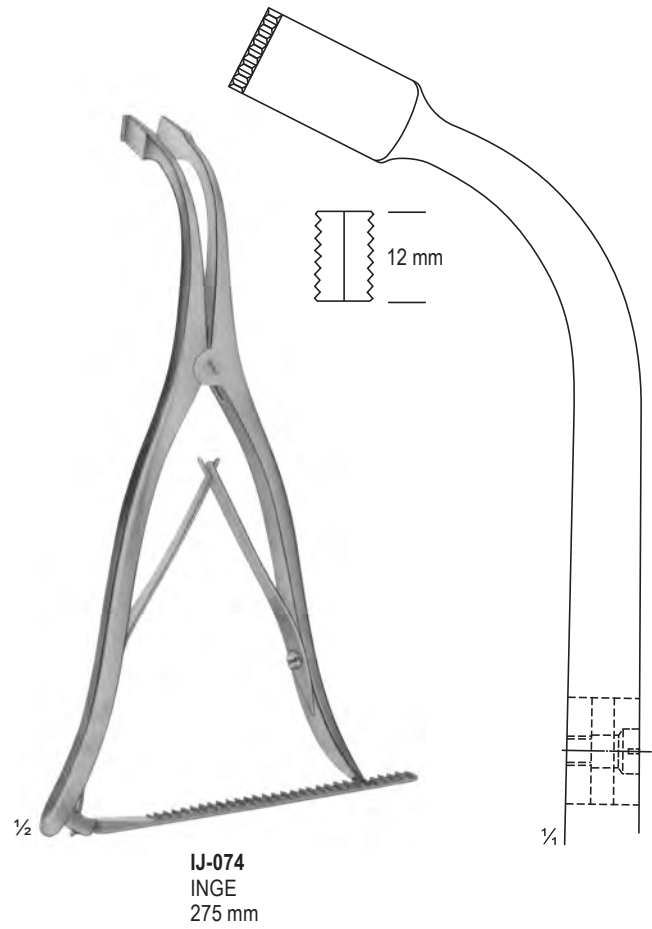
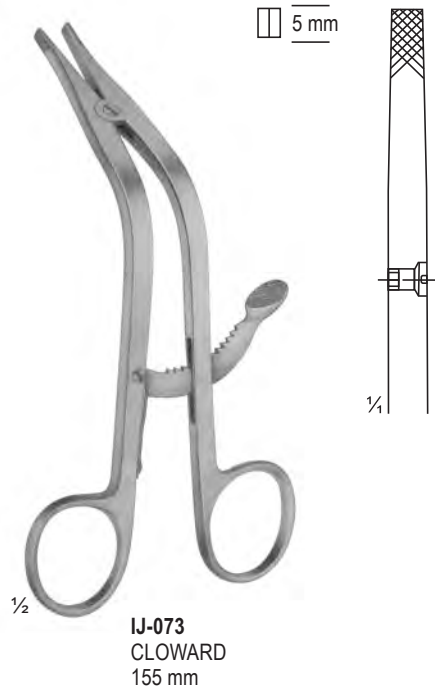
IJ-069 - IJ-072
SCOVILLE-RICHTER
Retractor with 1 pair
blades reversible type.
The Retractor bar and
shanks may be easily
rotated 180 when
blades are in situ.

IJ-069
62 x 52 mm 62 x 37 mm
PR= Pair

IJ-070
47 x 51 mm

IJ-071
30 x 40 mm

IJ-072
37 x 62 mm





SELF-RETAINING RETRACTORS



WEITLANER
Sharp
IJ-076
11 cm



WEITLANER
Semi-Sharp
IJ-077
11 cm



WEITLANER
Blunt
IJ-078
11 cm



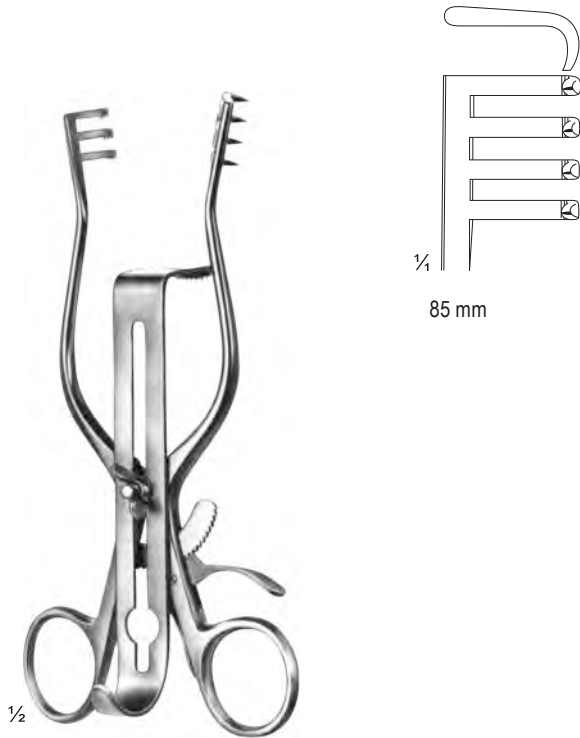
WEITLANER
Sharp
IJ-079
13 cm



WEITLANER
Semi-Sharp
IJ-080
13 cm



WEITLANER
Blunt
IJ-081
13 cm



HENLEY
Complete with 3 Central Baldes
IJ-082 - IJ-084
16.5 cm



Blades
IJ-082
19 X 17 mm



Blades
IJ-083
25 X 17 mm



Blades
IJ-084
32 X 17 mm

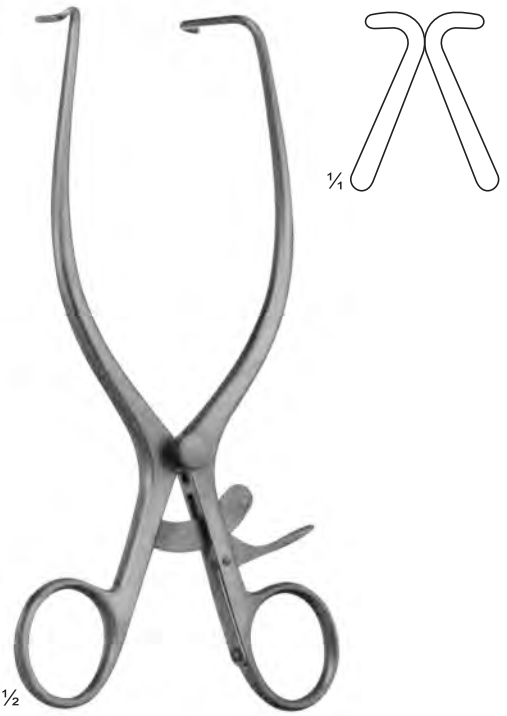


SPECIAL RETRACTORS



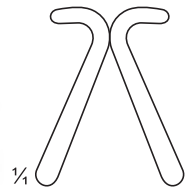
1/2

JOLL (FRIEDMAN)
IJ-085
Thyroid and Vaginal Retractor
15.5 cm

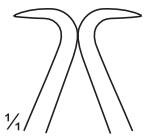


1/2

JACKSON BURROWS
IJ-086
Retractor, blunt
18.5 cm



1/4

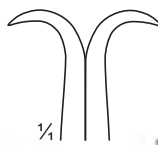


1/4



1/2

GELPI
IJ-087
13.5 cm

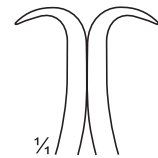


1/4



1/2

GELPI
IJ-088
17.5 cm



1/4



1/2

DE BAKKEY
IJ-089
14.5 cm



½

O'SULLIVAN-O'CONNOR
IJ-090 - IJ-092



1



2



3

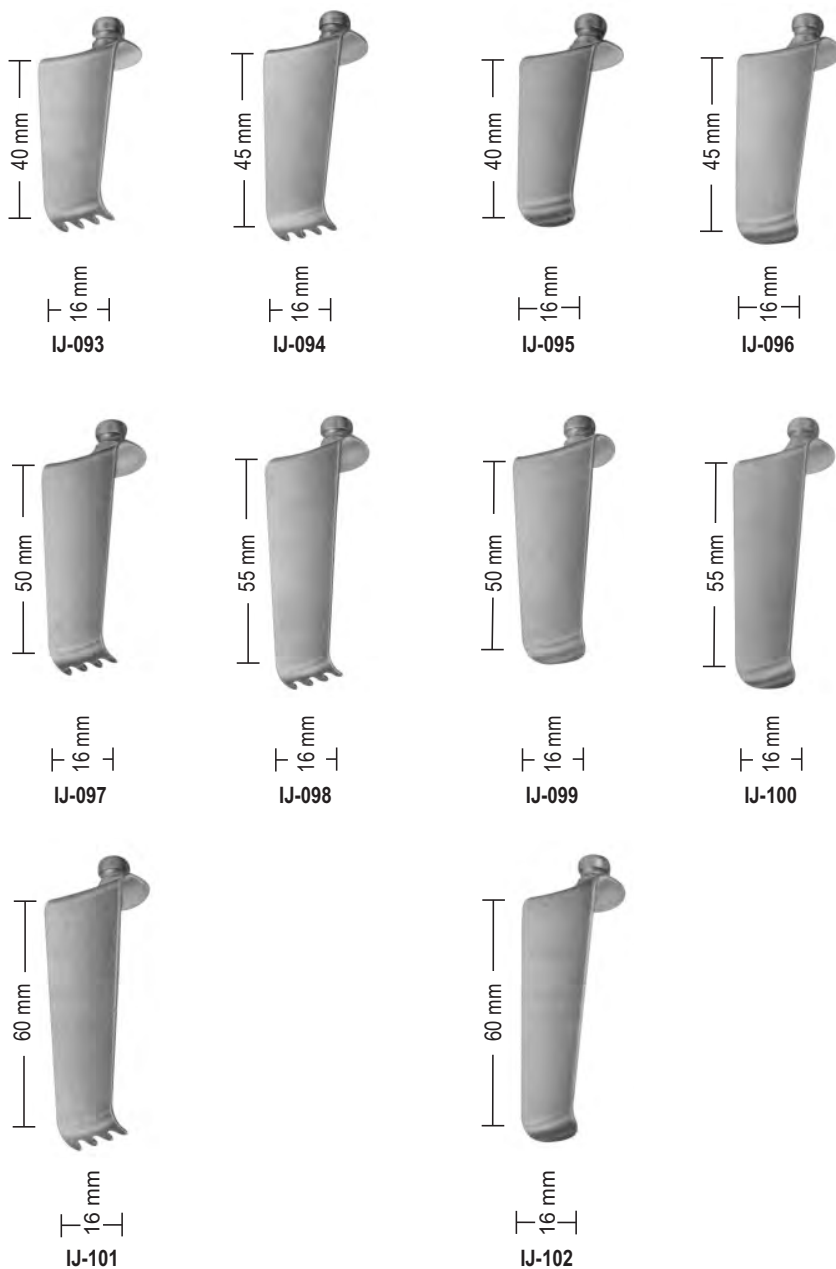
Blades for
Fig. 1 = IJ-090 45 X 17 mm
Fig. 2 = IJ-091 90 X 37 mm
Fig. 3 = IJ-092 90 X 45 mm



RETRACTORS FOR CERVICAL SPINE



CLOWARD modif.
Spreader Only
IJ-093 - IJ-102





CLOWARD-TYPE
IJ-103
 25.5 cm
 with ball snap closure Cervical Retractor
 complete consisting of Retractor Body
 25.5 cm, 110 mm spread (without blades)



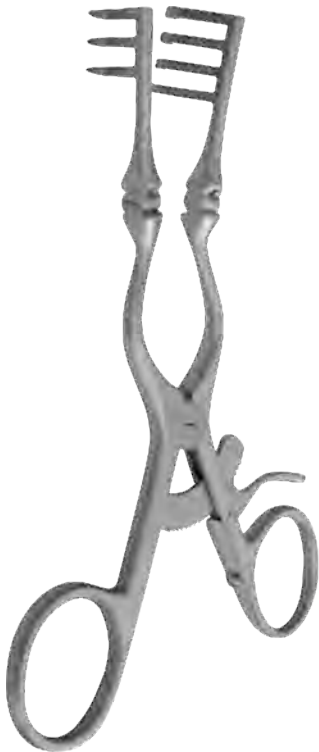
IJ-104 - IJ-108
IJ-104 15 x 40 mm
IJ-105 15 x 45 mm
IJ-106 15 x 50 mm
IJ-107 15 x 55 mm
IJ-108 15 x 60 mm
 serrated



IJ-109 - IJ-113
IJ-109 15 x 40 mm
IJ-110 15 x 45 mm
IJ-111 15 x 50 mm
IJ-112 15 x 55 mm
IJ-113 15 x 60 mm
 Blunt



RETRACTORS FOR CERVICAL VERTEBRAL COLUMN



CONE
IJ-114 - IJ-121
IJ-114 14 cm, 18 mm 3 x 4
IJ-115 16 cm, 18 mm 3 x 4
IJ-116 20 cm, 20 mm 3 x 4
IJ-117 24 cm, 27 mm 3 x 4
IJ-118 14 cm, 18 mm 3 x 4
IJ-119 16 cm, 18 mm 3 x 4
IJ-120 20 cm, 20 mm 3 x 4
IJ-121 24 cm, 27 mm 3 x 4
prongs blunt



MARKHAM-MEYERDING
IJ-122
18 cm, 50 x 25 mm left
Hemilaminectomy Retractor



MARKHAM-MEYERDING
IJ-123
18 cm, 50 x 25 mm right
Hemilaminectomy Retractor



MINI-WEITLANER

IJ-124 - IJ-125

IJ-124 11 cm, 16 mm 2 x 3 prongs sharp

IJ-125 11 cm, 16 mm 2 x 3 prongs blunt

WEITLANER

IJ-126 - IJ-133

IJ-126 13 cm, 18 mm 3 x 4 prongs sharp

IJ-127 16 cm, 18 mm 3 x 4 prongs sharp

IJ-128 20 cm, 21 mm 3 x 4 prongs sharp

IJ-129 25 cm, 27 mm 3 x 4 prongs sharp

IJ-130 13 cm, 18 mm 3 x 4 prongs blunt

IJ-131 16 cm, 18 mm 3 x 4 prongs blunt

IJ-132 20 cm, 21 mm 3 x 4 prongs blunt

IJ-133 25 cm, 27 mm 3 x 4 prongs blunt

ANDERSON-ADSON

Cerebellar Retractor

IJ-134 20 cm 4 x 4 prongs sharp



RETRACTORS FOR CERVICAL VERTEBRAL COLUMN



WEITLANER
IJ-135 - IJ-136
IJ-135 26 cm, 27 mm 5 x 6 prongs sharp
IJ-136 26 cm, 27 mm 5 x 6 prongs blunt



HEMILAMINECTOMY
IJ-137 - IJ-138
IJ-137 29 cm, 42 mm 6 x 6 prongs sharp
IJ-138 29 cm, 42 mm 6 x 6 prongs blunt



IJ-139 - IJ-142
Right blade 42 mm, left blade 22 mm deep
IJ-139 29 cm, 22/42 mm 6 x 6 prongs sharp
IJ-140 29 cm, 22/42 mm 6 x 6 prongs blunt

Right blade 22 mm, left blade 42 mm deep
IJ-141 29 cm, 22/42 mm 6 x 6 prongs sharp
IJ-142 29 cm, 22/42 mm 6 x 6 prongs blunt



SCALP CONTOUR

IJ-143 - IJ-146

IJ-143 14 cm, 18 mm 1 x 1 prongs blunt

IJ-144 14 cm, 18 mm 3 x 3 prongs blunt

IJ-145 14 cm, 18 mm 3 x 4 prongs sharp

IJ-146 14 cm, 18 mm 3 x 4 prongs blunt



BECKMANN-ADSON

IJ-147 - IJ-152

IJ-147 31 cm, 25 mm 4 x 4 prongs sharp

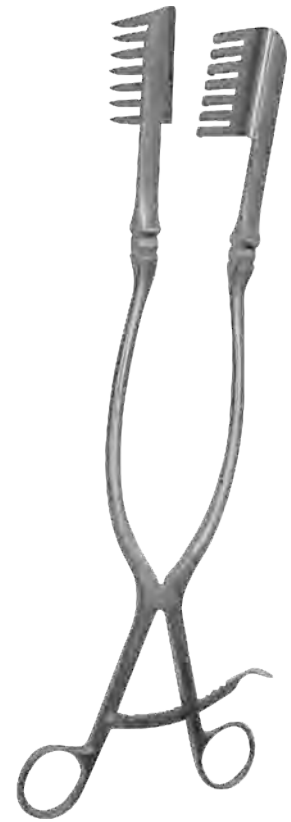
IJ-148 31 cm, 37 mm 4 x 4 prongs sharp

IJ-149 31 cm, 48 mm 4 x 4 prongs sharp

IJ-150 31 cm, 25 mm 4 x 4 prongs blunt

IJ-151 31 cm, 37 mm 4 x 4 prongs blunt

IJ-152 31 cm, 48 mm 4 x 4 prongs blunt

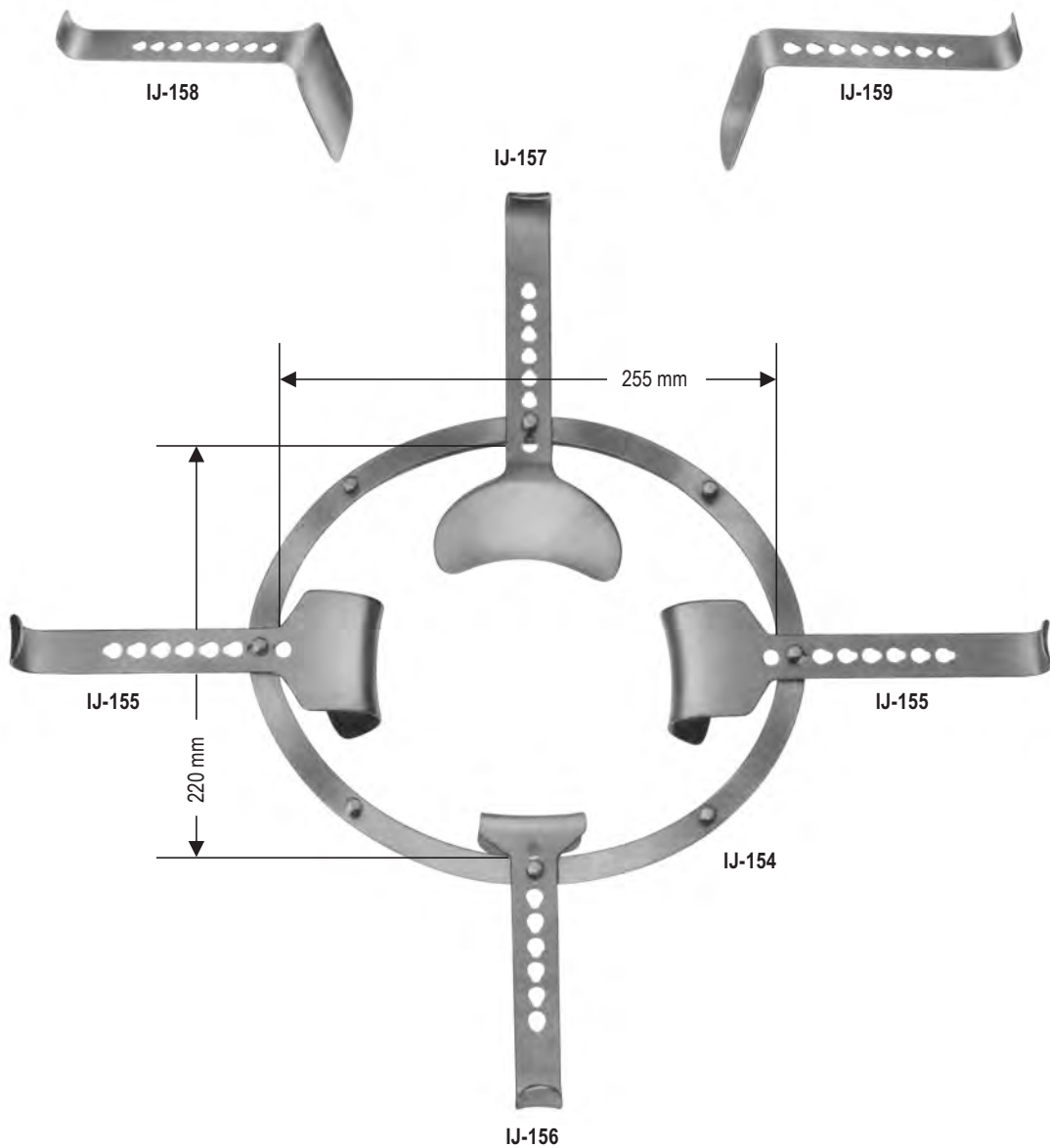


BECKMANN-EATON

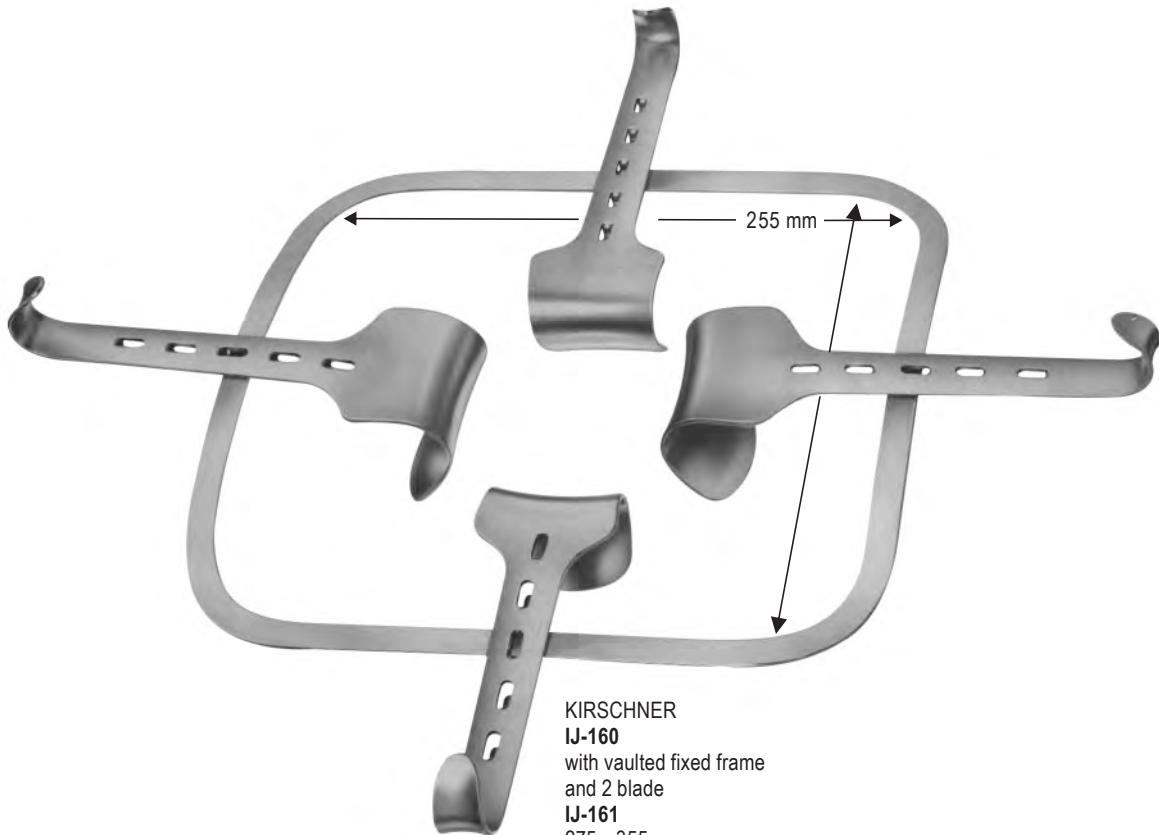
IJ-153

32 cm, 50 mm 7 x 7 prongs sharp

ABDOMINAL RETRACTORS



- IJ-154 - IJ-159**
 SEMM
 consisting of:
- IJ-154** 1 frame 225 x 220 mm
 - IJ-155** 2 blades 46 x 64 mm
 - IJ-156** 1 blade 53 x 54 mm
(for bladder)
 - IJ-157** 1 blade 82 x 97 mm
(for intestine)
 - IJ-158** 1 blade 98 x 51 mm
(for intestine)
 - IJ-159** 1 blade, narrow
107 x 36 mm



KIRSCHNER
IJ-160
 with vaulted fixed frame
 and 2 blade
IJ-161
 275 x 355 mm
 Frame only, over-sized
IJ-162
 295 x 275 mm
 Frame only



IJ-163
KIRSCHNER
 64 x 80 mm



IJ-164
KIRSCHNER-BALFOUR
 80x 82 mm



IJ-165 - IJ-167
KIRSCHNER
IJ-165 90x 69mm
IJ-166 92x 95mm
IJ-167 78x 58mm



IJ-168 - IJ-170
KIRSCHNER
IJ-168 108x42mm
IJ-169 91x 55mm
IJ-170 121x 55mm