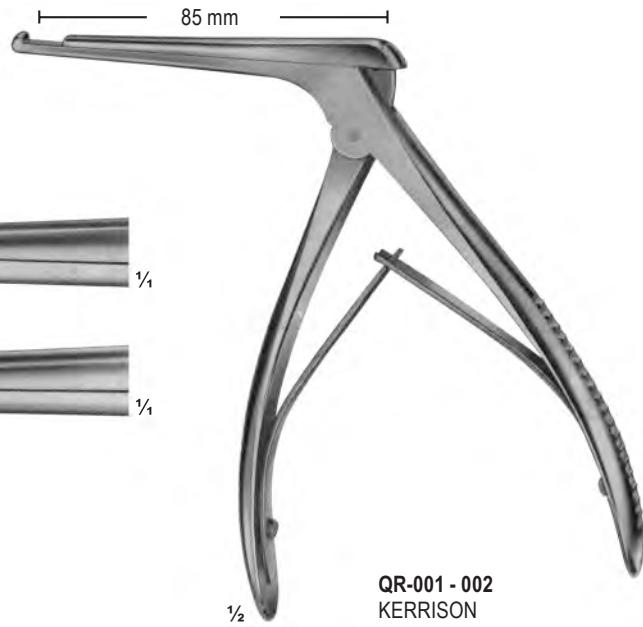


# Page 01-19

- Bone Punches
- Rongeurs
- Amputation

90° upwards cutting



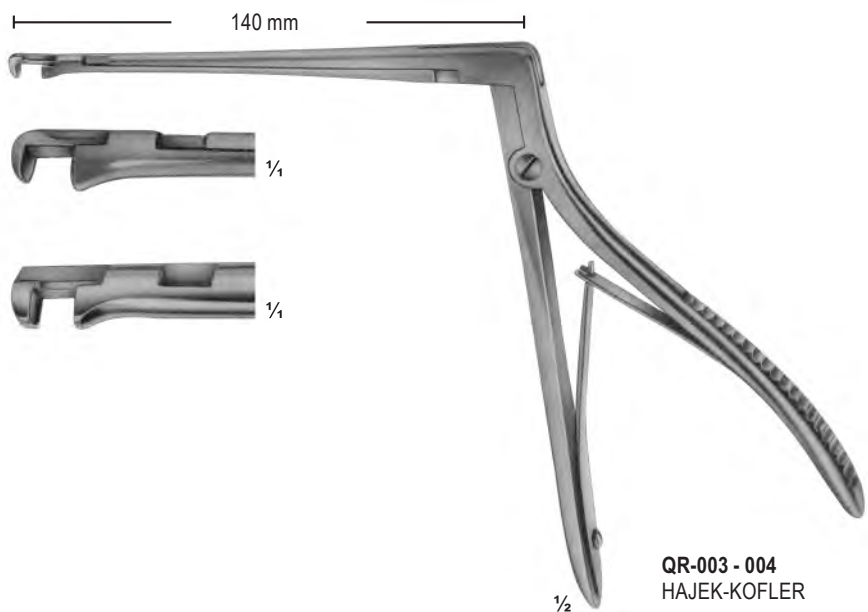
QR-001  
4 mm



QR-002  
5 mm



90° upwards cutting



QR-003  
3,3 mm



QR-004  
4,0 mm

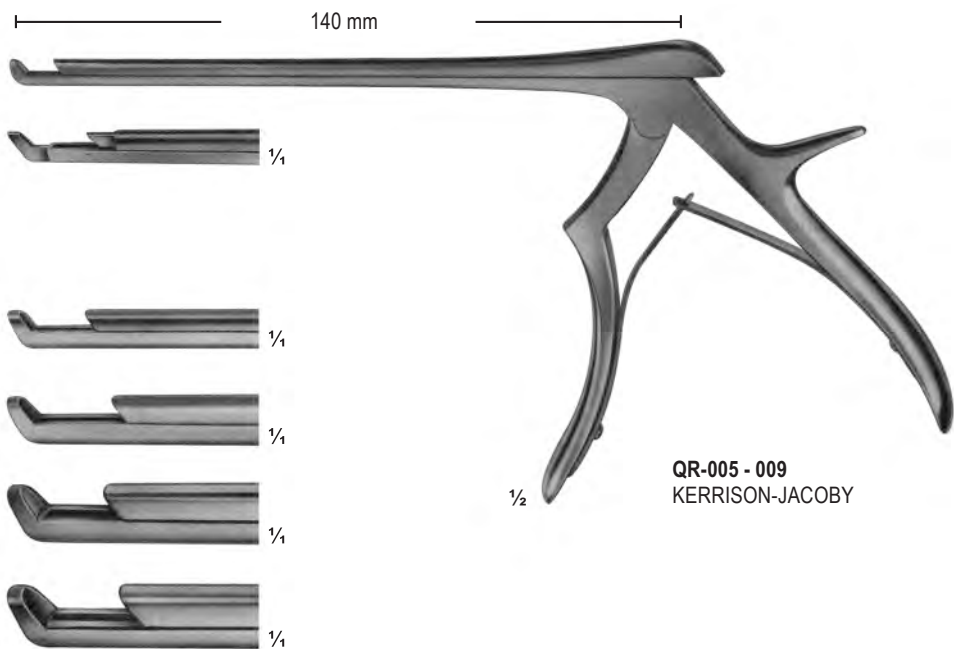




PUNCHES

130°

upwards cutting



QR-005  
1 mm



1/4

QR-006  
2 mm



1/4

QR-007  
3 mm



1/4

QR-008  
4 mm



1/4

QR-009  
5 mm

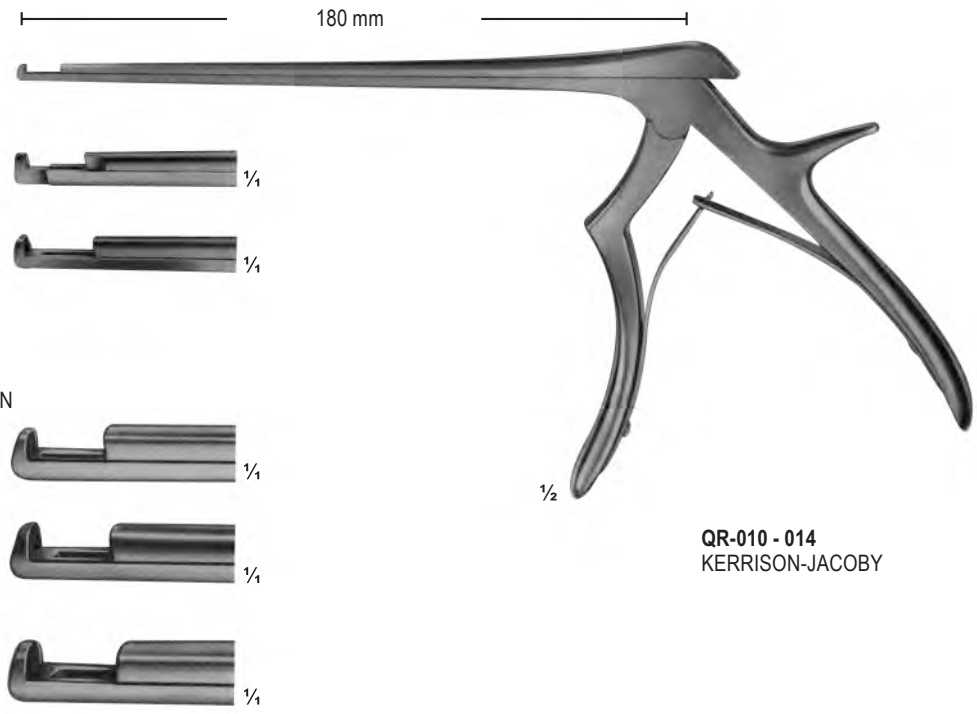


1/4

QR-005 - 009  
KERRISON-JACOBY

90°

upwards cutting



QR-010  
1 mm



1/4

QR-011  
2 mm



1/4

FERRIS-SMITH-KERRISON

QR-012  
3 mm



1/4

QR-013  
4 mm



1/4

QR-014  
5 mm

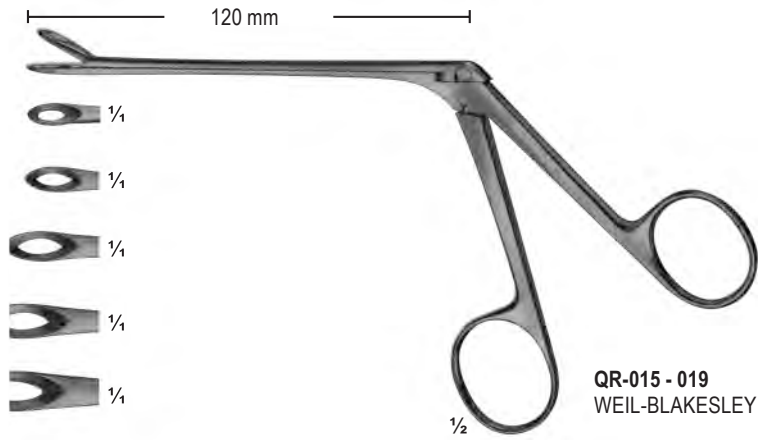


1/4

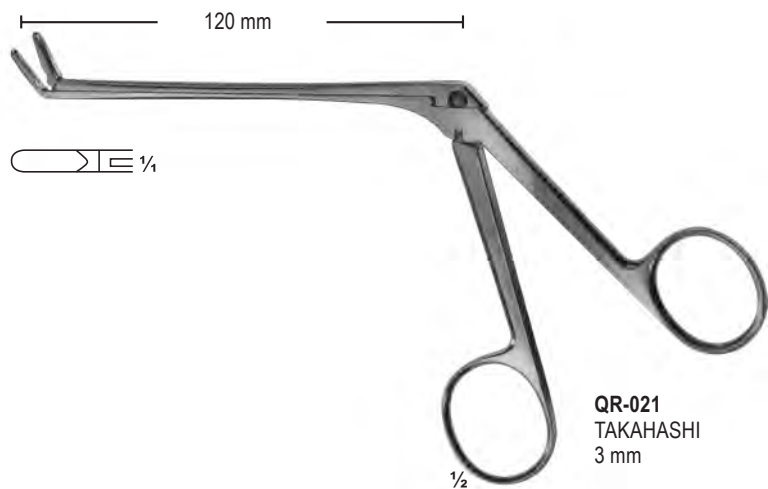
QR-010 - 014  
KERRISON-JACOBY

Angled positions for rongeurs

- QR-015**  
3,0 mm
- QR-016**  
3,6 mm
- QR-017**  
4,2 mm
- QR-018**  
4,8 mm
- QR-019**  
5,8 mm



130°





RONGEURS

130 mm

**QR-022**  
2 X 10 mm

**QR-023**  
3 X 10 mm

**QR-024**  
4 X 10 mm

**QR-022 - 024**  
LOVE-GRUENWALD

1/2

155 mm

**QR-025**  
2 mm

**QR-026**  
3 mm

**QR-027**  
4 mm

**QR-028**  
5 mm

**QR-025 - 028**  
CASPAR

1/2

155 mm



**QR-029**  
2 mm

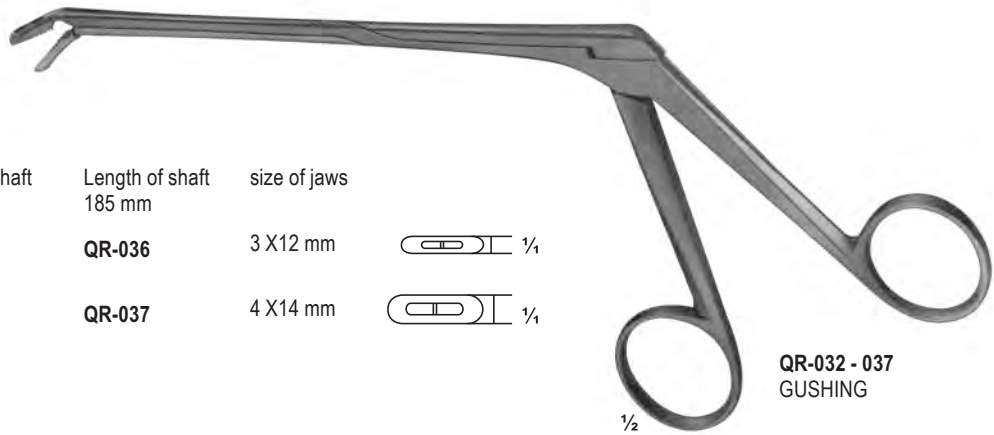
**QR-030**  
3 mm

**QR-031**  
4 mm

**QR-029 - 031**  
CASPAR

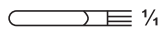
1/2

Length of shaft 140 mm	Length of shaft 160 mm	Length of shaft 185 mm	size of jaws
<b>QR-032</b>	<b>QR-034</b>	<b>QR-036</b>	3 X12 mm  1/4
<b>QR-033</b>	<b>QR-035</b>	<b>QR-037</b>	4 X14 mm  1/4

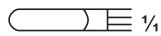


**QR-032 - 037**  
GUSHING

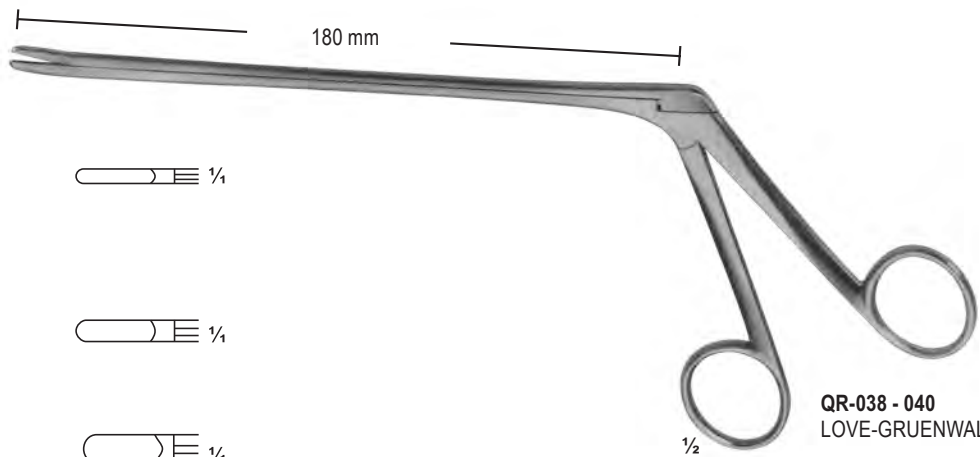
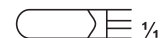
**QR-038**  
2 X 10 mm  
GUSHING



**QR-039**  
3 X 10 mm  
LOVE-GRUENWALD

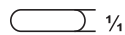


**QR-040**  
4 X 10 mm  
SPURLING

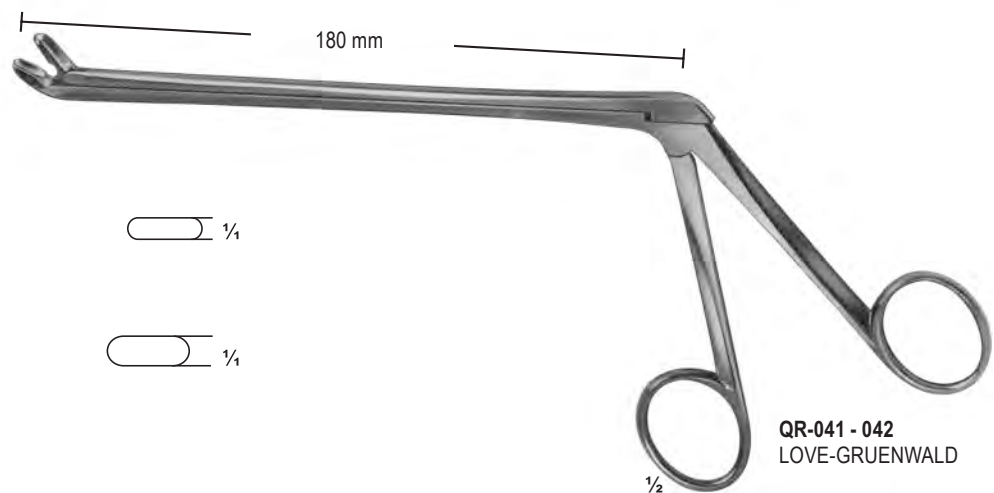


**QR-038 - 040**  
LOVE-GRUENWALD

**QR-041**  
3 X 10 mm  
LOVE-GRUENWALD



**QR-042**  
4 X 10 mm  
SPURLING

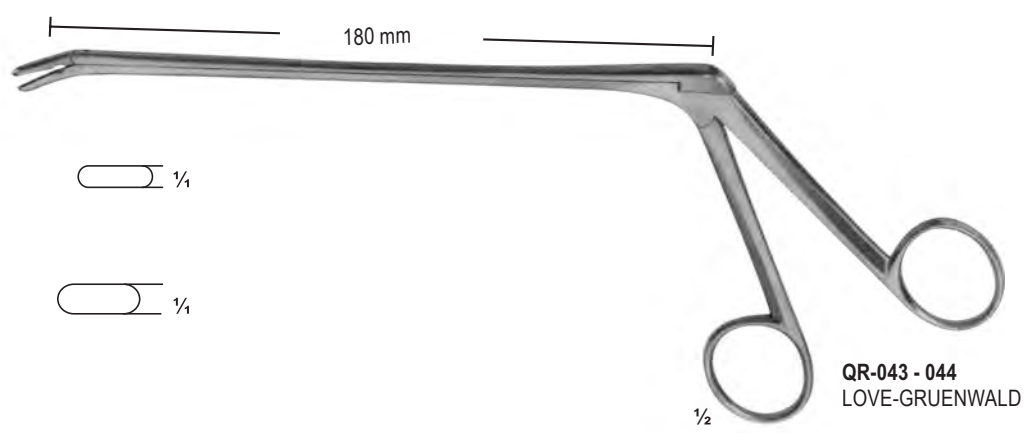


**QR-041 - 042**  
LOVE-GRUENWALD



RONGEURS

**QR-043**  
3 X 10 mm  
LOVE-GRUENWALD

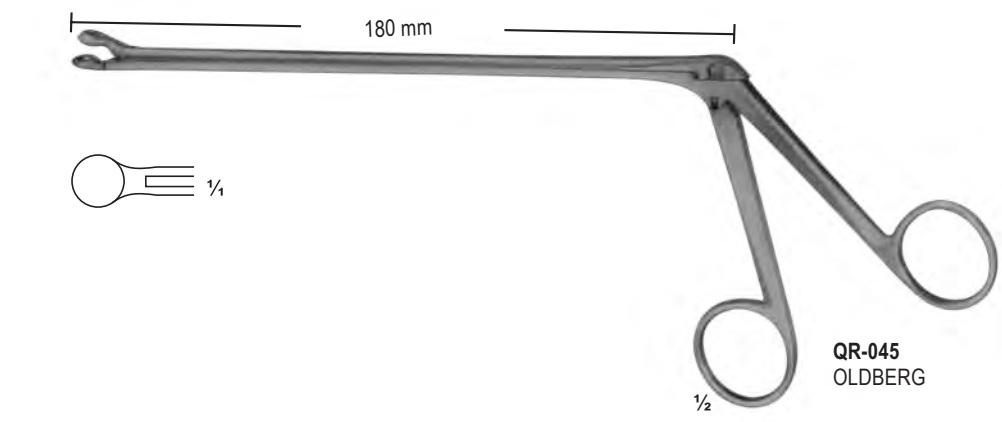


**QR-044**  
4 X 10 mm  
SPURLING



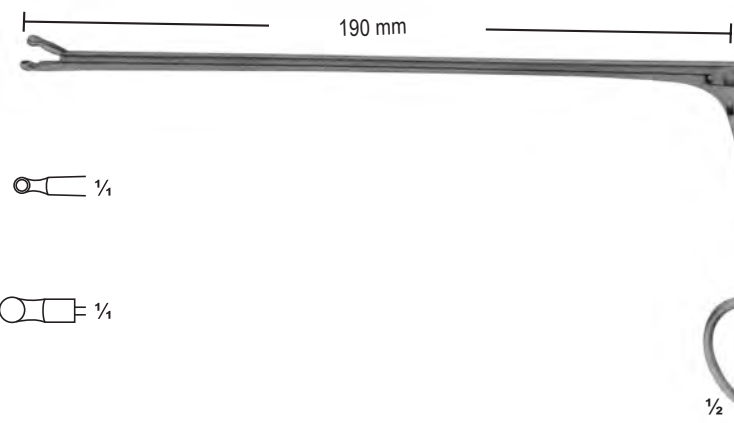
**QR-043 - 044**  
LOVE-GRUENWALD

**QR-045**  
7 mm



**QR-045**  
OLDBERG

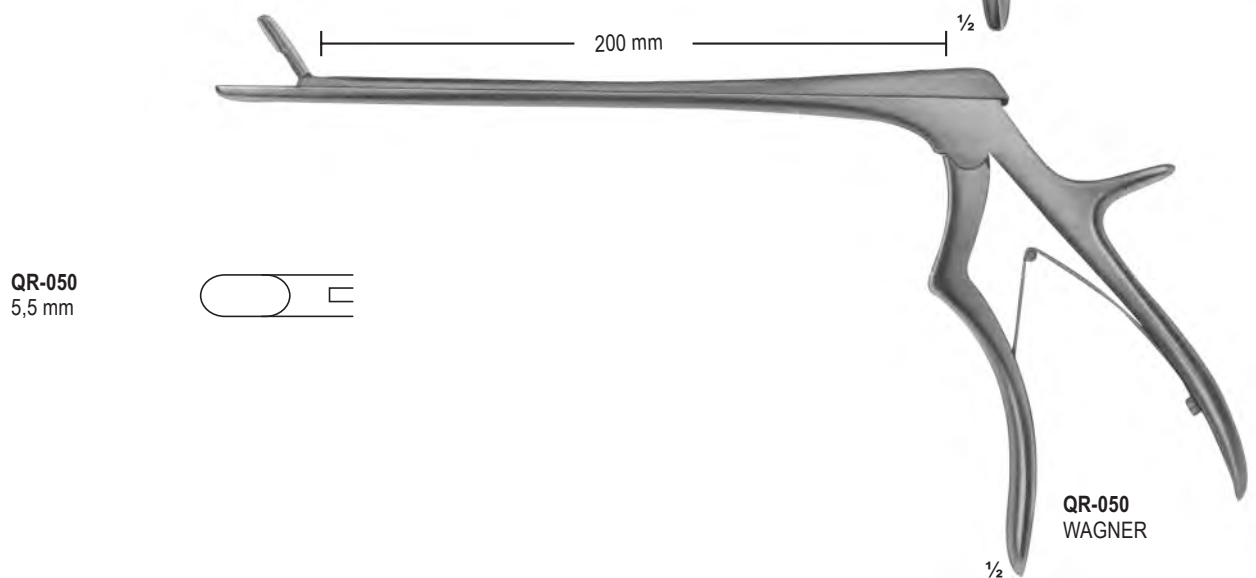
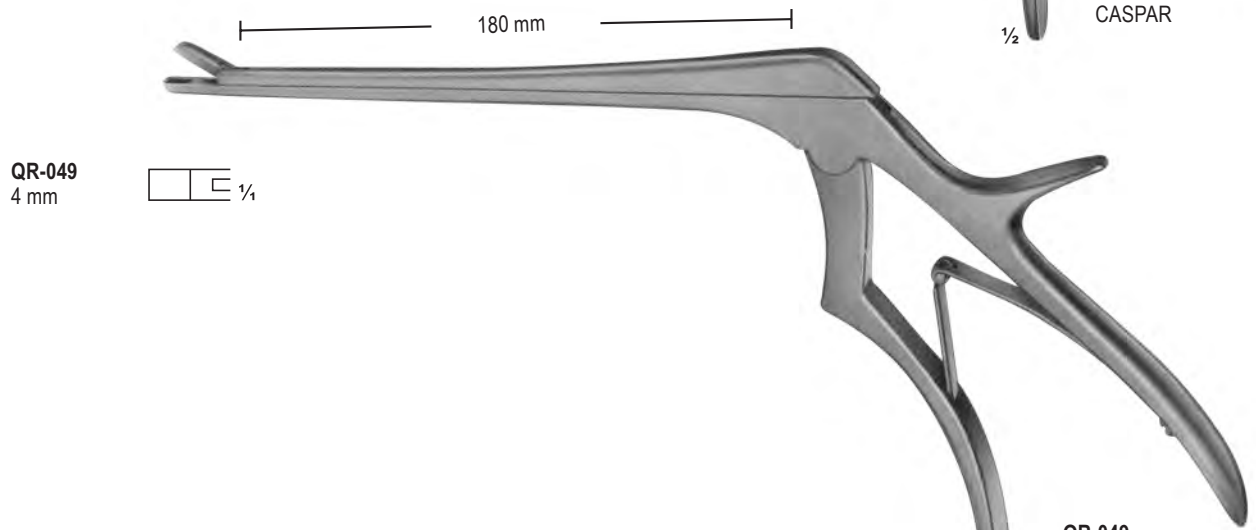
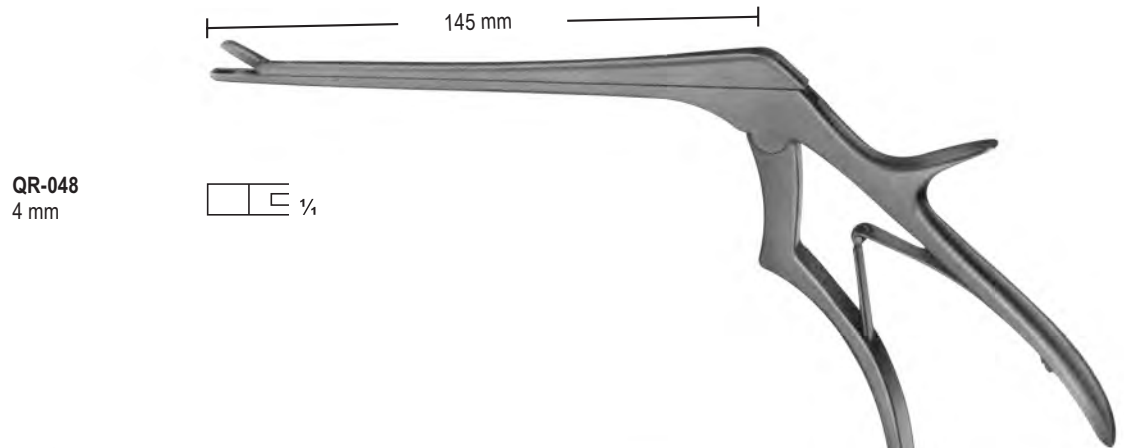
**QR-046**  
YASARGIL  
2,2 mm



**QR-046 - 047**

**QR-047**  
YASARGIL  
3,5 mm



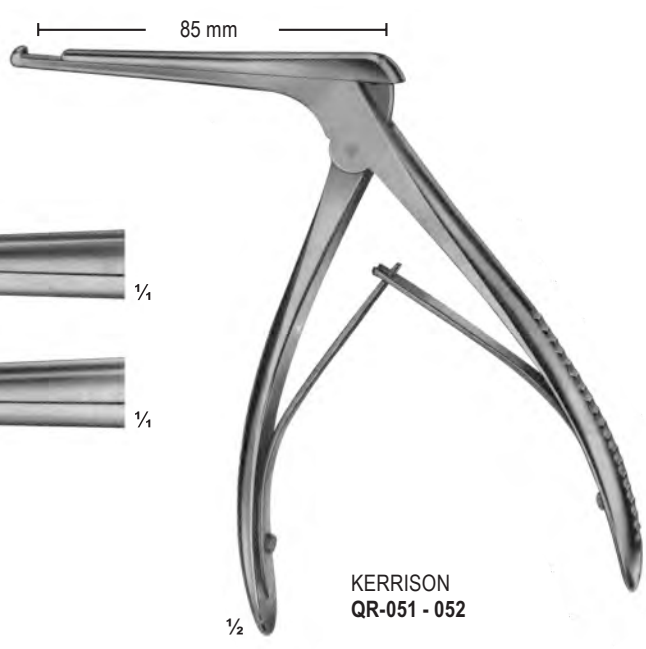






PUNCHES

90° upwards cutting



QR-051  
4 mm



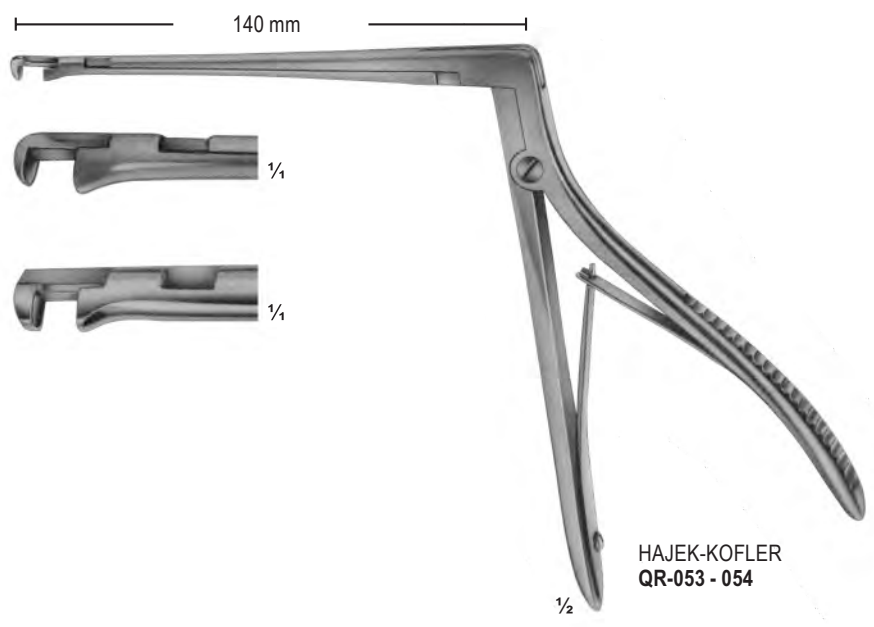
1/4

QR-052  
5 mm



1/4

90° upwards cutting



QR-053  
3.3 mm

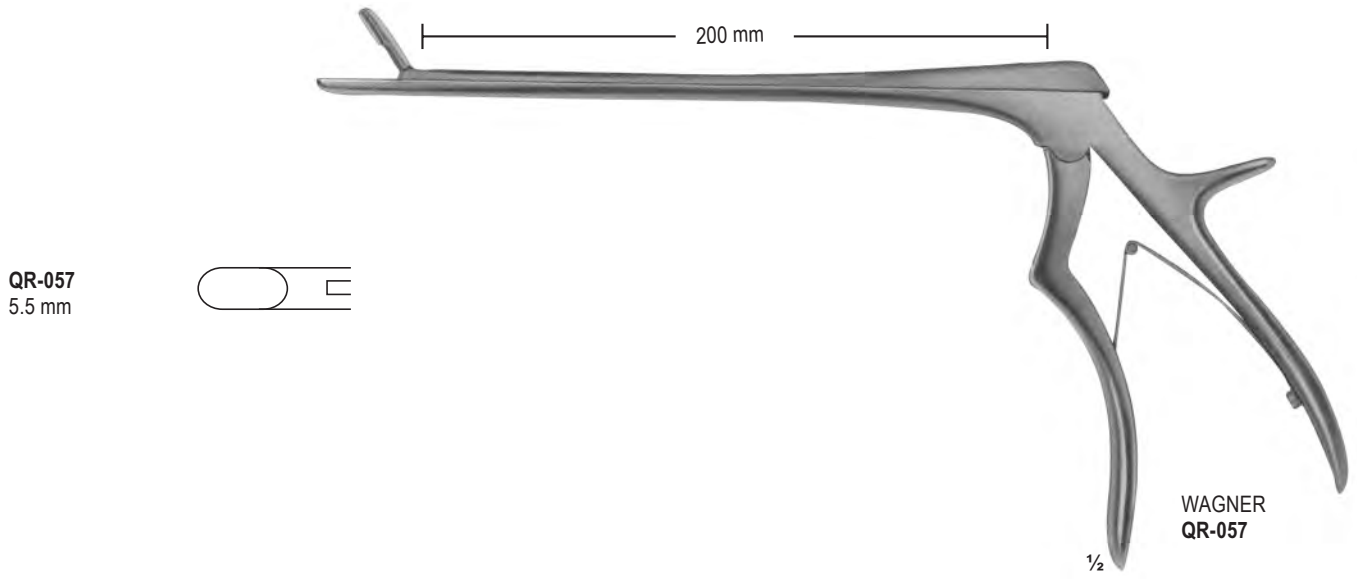
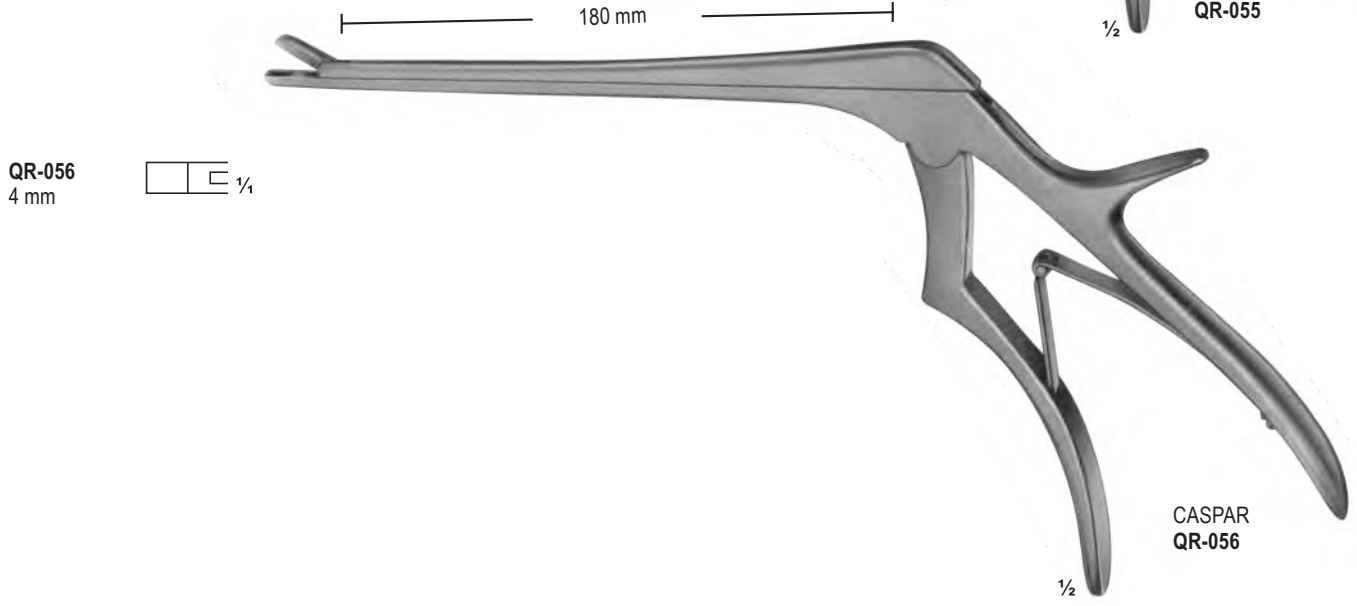
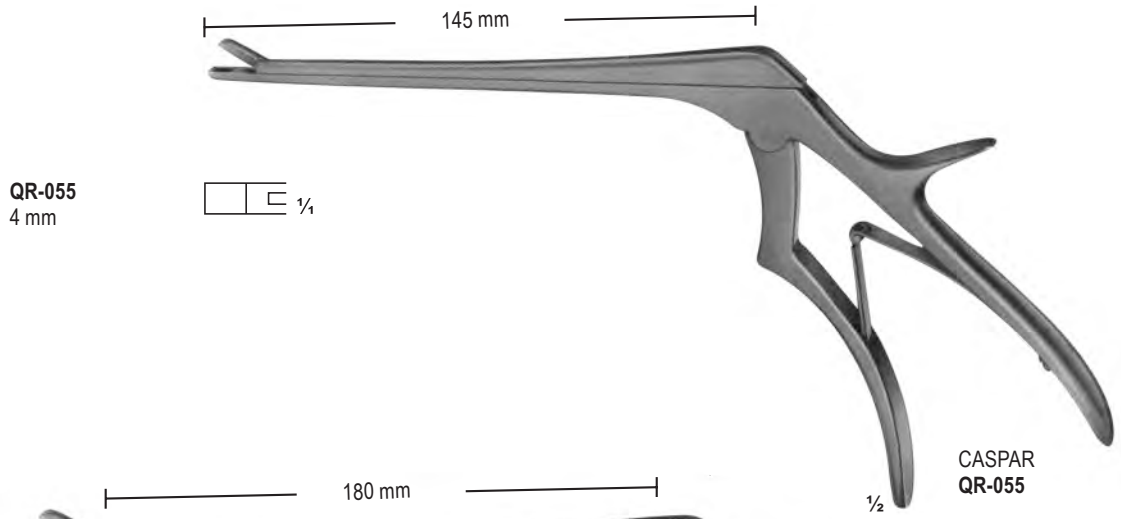


1/4

QR-054  
4 mm



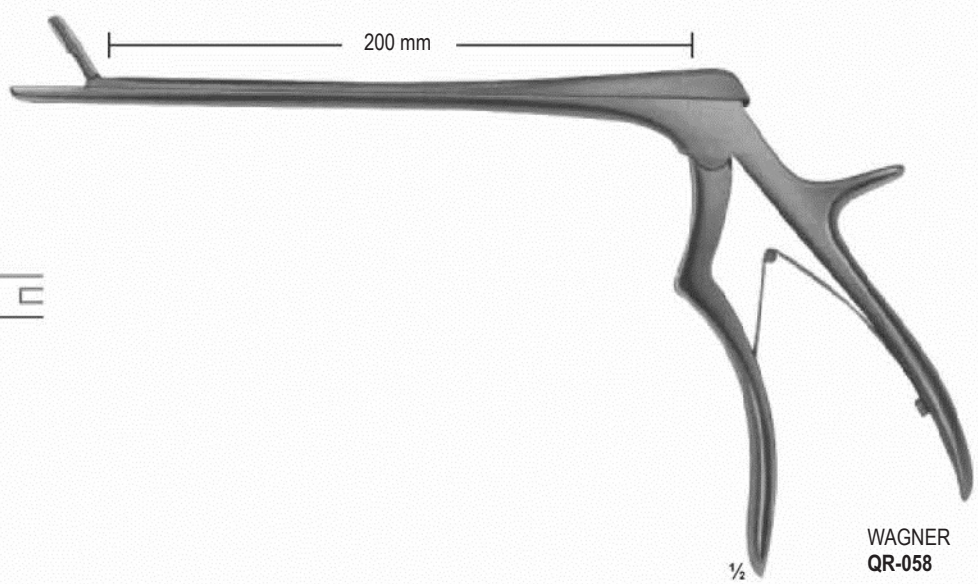
1/4





PUNCHES

QR-058  
5.5 mm



WAGNER  
QR-058



**QR-059**  
**CHARRIÈRE**  
 Length of blade  
 215 mm  
 complete with one saw  
 blade each  
 350 mm  
 Spare saw blades, carbon steel  
**QR-060** 12 mm  
**QR-061** 20 mm



**QR-062**  
**RUST**  
 Length of blade  
 235 mm  
 complete with one saw  
 blade each  
 390 mm  
**QR-063** Bow only  
 Spare saw blades, carbon steel  
**QR-064** 6 mm  
**QR-065** 12 mm  
**QR-066** 20 mm



**QR-067**  
**BIER**  
 Length of blade  
 270 mm  
 complete with one saw  
 blade each  
 420 mm  
 Spare saw blades, carbon steel  
**QR-068** 4 mm  
**QR-069** 6 mm  
**QR-070** 8 mm



**QR-071**  
**CHARRIÈRE**  
 Length of blade  
 180 mm  
 Spare saw blades,  
 carbon steel  
 270 mm  
**QR-072**  
**CHARRIÈRE**  
 Length of blade  
 240 mm  
 Spare saw blades,  
 carbon steel  
 340 mm



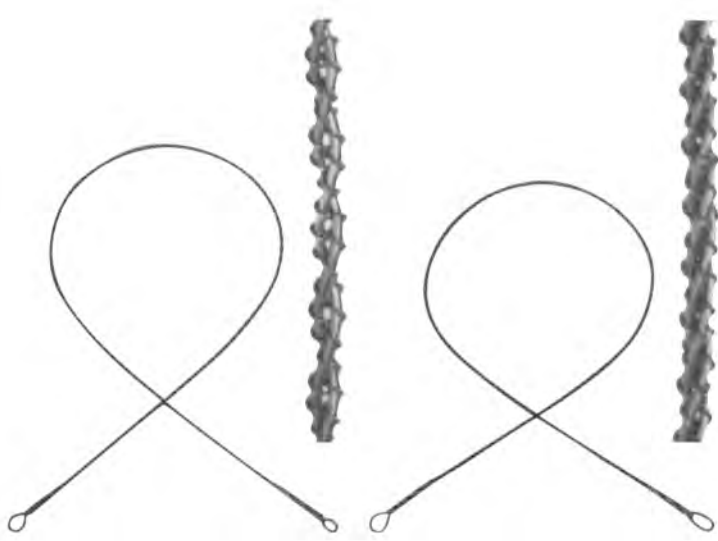
**QR-073**  
**SATTERLEE**  
 Length of blade  
 200 mm  
 Spare saw blades,  
 carbon steel  
 290 mm



**QR-074**  
**LANGENBECK**  
 Length of blade  
 115 mm  
 Metacarpal saw  
 235 mm



WIRE SAWS AND CONDUCTOR



**OLIVECRONA**  
**QR-075** 300 mm  
**QR-076** 400 mm  
**QR-077** 500 mm  
**QR-078** 700 mm

**GIGLI**  
**QR-079** 300 mm  
**QR-080** 400 mm  
**QR-081** 500 mm  
fine, 6 wires twisted  
**QR-082**  
coarses, 4 wires twisted



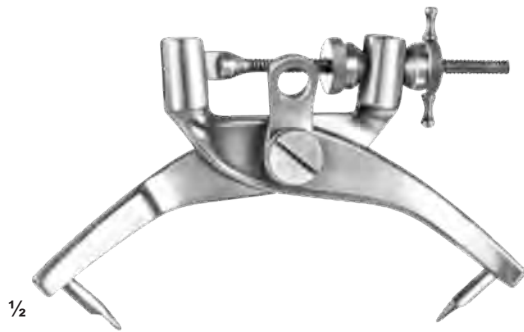
1/4

**QR-083**  
GIGLI  
Handle



1/2

**QR-084**  
LEBSCHKE  
Conductor for  
wire saws, malleable  
250 mm



1/2

**CRUTCHFIELD  
QR-085**  
Small Pattern



1/2

**CRUTCHFIELD  
QR-086**  
Medium Pattern



1/2

**QR-087**  
Large Pattern  
and Spare Pin



**QR-088**  
70 mm  
Drill Point



**QR-089**  
70 mm  
Drill Point



CRANIAL RONGEURS



1/2 DAHLGREN  
QR-090  
195 mm



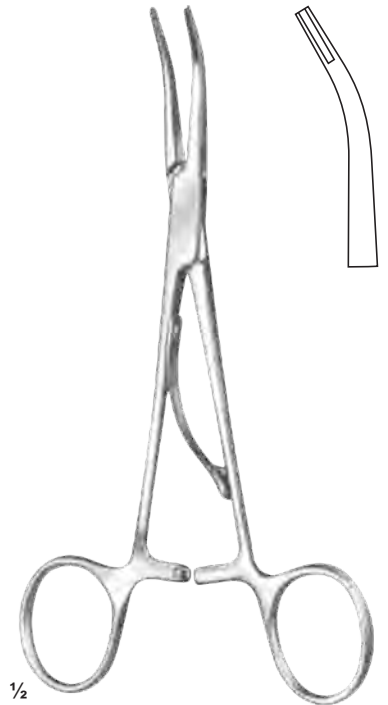
1/2 DE VILBISS  
QR-091  
210 mm



1/2 CONE  
QR-092  
225 mm  
Cranial Punch



1/2  
**OLIVECRONA-TOENNIS  
 QR-093**  
 Clip Applying Forceps



1/2  
**MCKENZIE  
 QR-094**  
 185 mm  
 Clip Applying Forceps



1/4  
**KÖLNER  
 QR-095**  
 Scalp Clip



1/4  
**RANEY  
 QR-096**  
 Scalp Clip



1/2  
**RANEY  
 QR-097**  
 155 mm  
 Applying/Removal  
 Forceps

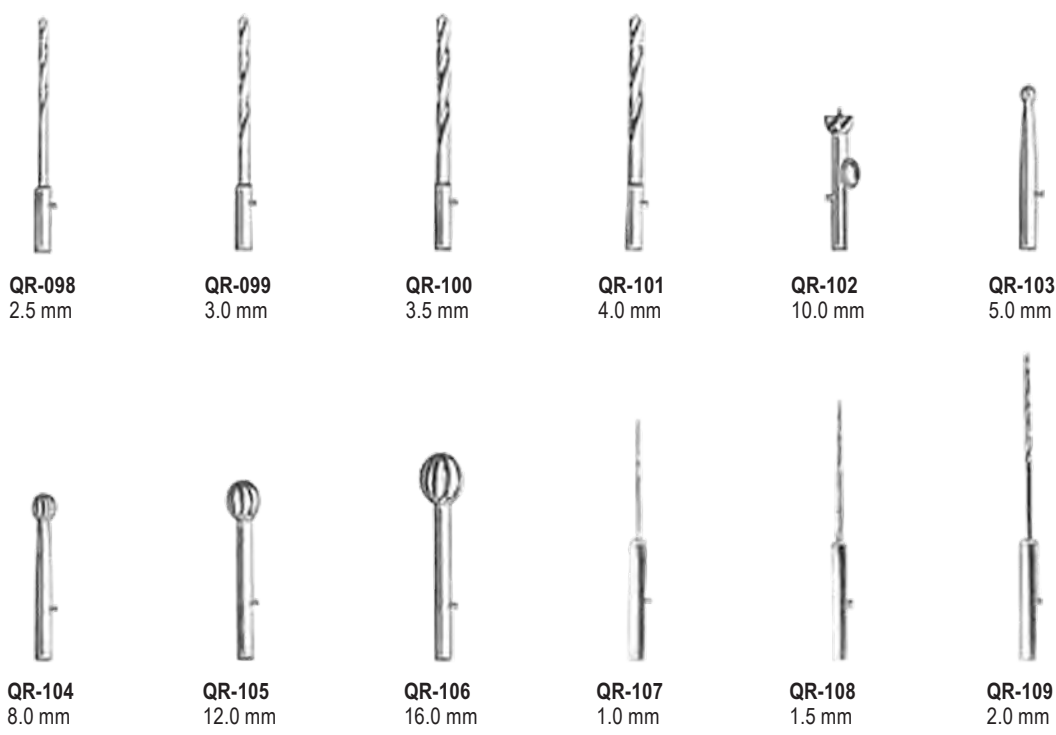




BONE HAND DRILLS



STILLE  
QR-098 - 109  
complete  
20 cm



QR-098  
2.5 mm

QR-099  
3.0 mm

QR-100  
3.5 mm

QR-101  
4.0 mm

QR-102  
10.0 mm

QR-103  
5.0 mm

QR-104  
8.0 mm

QR-105  
12.0 mm

QR-106  
16.0 mm

QR-107  
1.0 mm

QR-108  
1.5 mm

QR-109  
2.0 mm



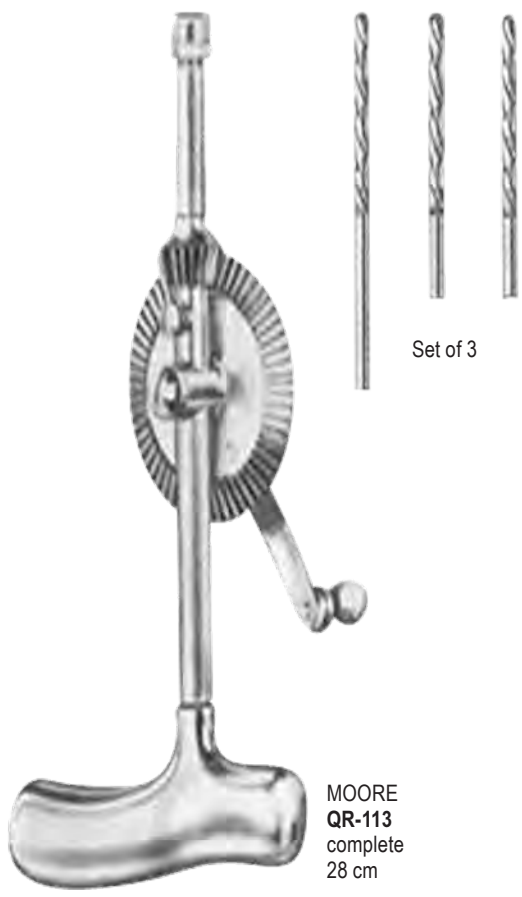
STILLE-SHERMAN  
QR-110 - 112  
complete  
24 cm



QR-110  
2.5 mm

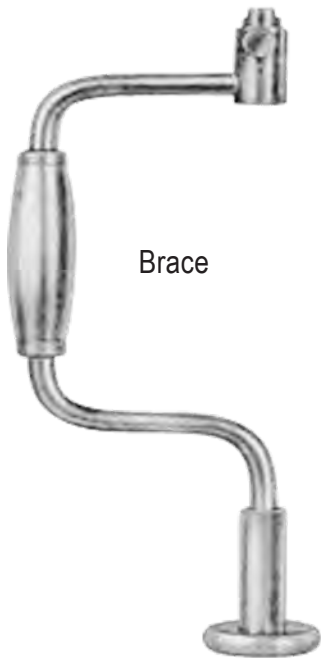
QR-111  
3.0 mm

QR-112  
3.5 mm



MOORE  
QR-113  
complete  
28 cm

Set of 3



Brace

HUDSON  
QR-114 - 123  
Complete Set  
27 cm



QR-114  
9 mm



QR-115  
14 mm



QR-116  
16 mm



QR-117  
22 mm



QR-118  
14 mm



QR-119  
Extension  
Piece



QR-120  
Mckenzie  
15 mm



QR-121  
Mckenzie  
2.0 mm



QR-122  
Mckenzie  
1.3 mm



QR-123  
Derrico  
1.6 mm



KIRSCHNER  
QR-124  
Complete



Telescope Wire  
Dill Guide



QR-125  
Complete



Telescope Wire  
Dill Guide



BONE HAND DRILLS

---



BUNNELL  
QR-126



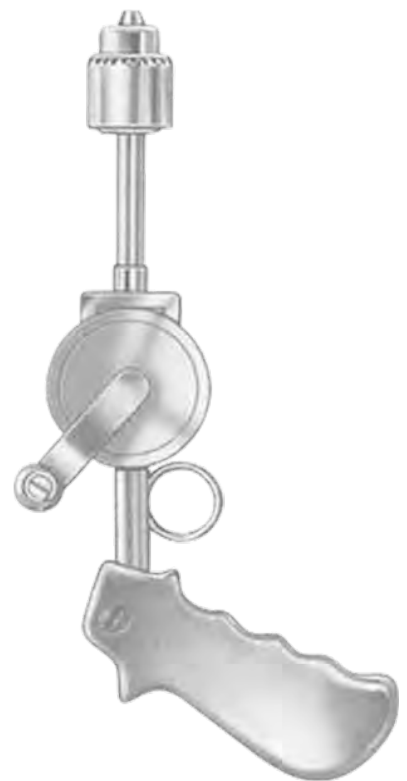
ROLK  
QR-127



**QR-128**  
 Drilling chuck, cannulated,  
 for shanks up to 6.35 mm diam.,  
 To be tightened by hand  
 10 cm



**QR-129**  
 Drilling chuck, cannulated,  
 for shanks up to 6.35 mm diam.,  
 With key  
 16 cm



**QR-130**